



# Garage door and entrance gate operators

**NEW:** Generation 4 garage door operators, now with even faster door opening, whilst offering even more convenience with smart functions

**HÖRMANN**









## CONTENT

4	Good reasons to try Hörmann
8	Garage door operators
12	Garage door operator SupraMatic
14	Garage door operator ProMatic
18	Entrance gate operators
22	Hinged gate operator RotaMatic / RotaMatic Akku-Solar
24	Hinged gate operator VersaMatic / VersaMatic Akku-Solar
26	Sliding gate operator LineaMatic / LineaMatic Akku-Solar
28	Sliding gate operator STA 400
32	Smart Home
38	Accessories
50	Dimensions and fitting data
58	Hörmann product range

Some of the doors shown are equipped with optional extras and do not always correspond to the standard versions.

The surface finishes and colours shown are subject to the limitations of the printing process and cannot be regarded as binding.

All rights reserved. No part may be reproduced without our prior permission. Subject to changes.

◀ Sectional garage door, M-ribbed in Anthracite grey RAL 7016, entrance gate with VersaMatic hinged gate operator and entrance door ThermoSafe style 449

“A good reputation must be earned.”

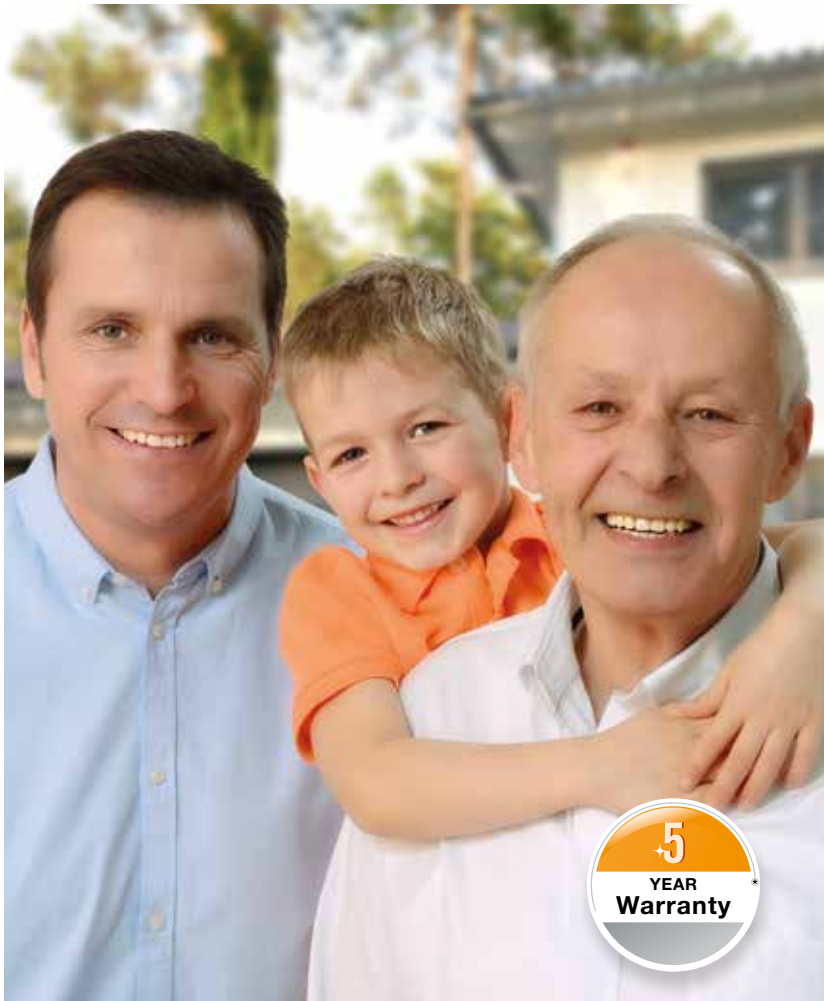
August Hörmann

In keeping with the tradition started by the company's founder, the Hörmann brand today is a true promise of quality. The family-owned company has over 80 years of experience in door and operator construction and, with sales of over 20 million doors, is no. 1 in Europe. This makes a Hörmann operator a reassuring purchase.



## 1 “Made in Germany”

All essential doors and operator components are developed and manufactured by Hörmann, are **perfectly matched to each other** and **tested and certified** by independent, recognised institutes to ensure your safety. They are manufactured in Germany according to the DIN ISO 9001 quality management system and meet the requirements of European standard 13241-1. Furthermore, our highly qualified employees work intensively on new products, continual further developments and improvements to details. The results are patents and unique products on the market.



## 2 Brand quality for generations

Endurance tests under real conditions ensure mature series products with Hörmann quality. Thanks to this, as well as excellent technical solutions and uncompromising quality assurance, you receive **a 5-year warranty on all Hörmann garage door and entrance gate operators.\***

\* The complete warranty conditions can be found at: [www.hormann.co.uk](http://www.hormann.co.uk)

## 3 An eye on the future

Hörmann is setting a good example. This is why the company obtains **100 % of its energy consumption from green sources**. Together with an intelligent and certified energy management system, CO<sub>2</sub>-neutral mailing and the recycling of valuable materials, more than **40000 tons of CO<sub>2</sub> are saved each year**. And last but not least, Hörmann also offers products for sustainable construction.





## 4 Certified safety



Only from Hörmann



The bi-directional BiSecur radio system is based on **future-oriented technology** for the convenient and secure operation of garage and entrance gate operators, door operators, lights and more. This extremely secure BiSecur encryption protocol, developed by Hörmann, with a stable, interference-free range makes sure that no one can copy your radio signal. It was tested and certified by security experts at Bochum university and independent test institutes.



Take a look at the video "BiSecur – the radio system with certified safety" at: [www.hormann.co.uk/videos](http://www.hormann.co.uk/videos)

## 5 Perfectly matched

**All BiSecur operators, receivers and control elements are 100 % compatible.** By simply pressing the button on your hand transmitter or radio switch, you can operate your garage door and entrance gate as well as door operators or other devices with BiSecur receivers. The BiSecur control elements are suitable for the operation of all Hörmann operators with a radio frequency of 868 MHz (year of manufacture 2003 – 06/2012) / (querying the door position is not possible). **The standard HCP interface\* in every Hörmann operator provides you with even more options.** It makes it easy to network all Hörmann garage and entrance gate operators with external Smart Home systems.

\* HCP = Hörmann Communication Protocol



## 6 Convenient door query

**You no longer have to go out in any wind and weather** to check if your door is closed. At the press of a button, the colour of the LED on the hand transmitter HS 5 BS or the internal push button FIT 5 BS indicates the position of the door. If required, another push of a button\* closes the door. It is the most convenient and secure way to control your door.

\* An additional photocell is required for operation without visual contact to the door.

## 7 Smart app operation

### **Hörmann BlueSecur**

Simply use your smartphone as a hand transmitter. **With the new Hörmann BlueSecur app, you can conveniently operate your garage door or entrance door via Bluetooth\*\*.** In addition, other user permissions\*\*\* can easily be permanently or temporarily transferred to other smartphones for other family members. So every family member always has their “door and gate opener” with them on their smartphone.

\*\* In conjunction with an internal or optional Hörmann Bluetooth receiver

\*\*\* Extra purchases (in-app purchases) in the AppStore or Google Play may be required



Display on hand transmitter HS 5 BS

- 1 Door is opened
- 2 Door is closed

## Benefit from numerous advantages

The new operator generation 4 now with even faster door opening, more convenience and smart functions. The new LED lighting illuminates your garage evenly and makes getting in and out of the car easier. Automatically open your door\* to ventilate your garage, effectively preventing mould growth. And last but not least, the operator boom impresses with steady and quiet door travel. It's a perfect combination of quality, security and intelligent technology.

\* Optional climatic sensor required









# 1 Secure

**! Only from Hörmann**

Mechanical anti-lift kit in the operator boom

Burglars have a tough time when it comes to Hörmann automatic garage doors: **when the garage door is closed, the anti-lift kit automatically engages in the guide rail stop.** The door locks immediately and is secured against forced opening. This lock is purely mechanical and, in contrast to operators from other manufacturers, effective even in the event of a power failure.



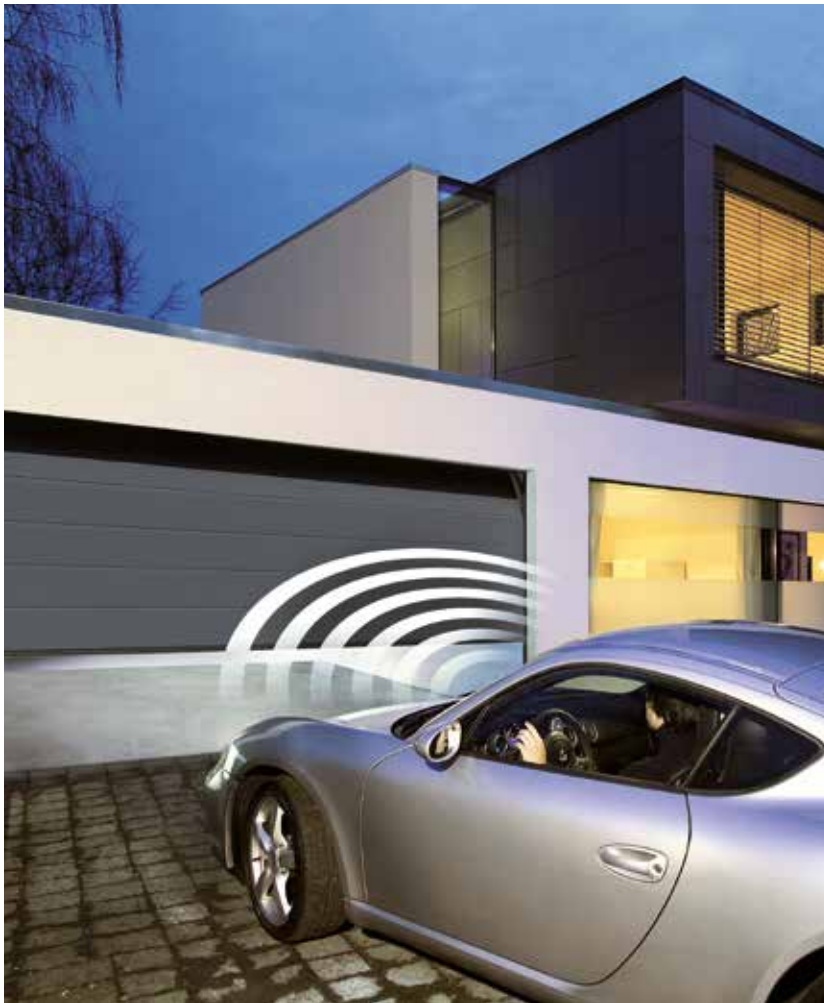
Take a look at the video "Garage door operators – Reassuring security" at: [www.hormann.co.uk/videos](http://www.hormann.co.uk/videos)

# 2 Reliable

**The reliable automatic safety cut-out securely stops the door if it encounters an obstacle.** For even more protection and safety, we recommend fitting a non-contact photocell.

Your door **opens and closes quietly and smoothly with the soft start and soft stop.** The start and stop phases can be individually set for your garage door. This protects your garage door, allowing you to enjoy it for years to come.





### 3 Super-fast

You can enter faster and more safely with the SupraMatic operator when combined with a Hörmann sectional garage door. **An opening speed up to max. 25 cm/s\*** means more safety and less stress on high-traffic garage entrances. Compare the opening speed of the SupraMatic operator with conventional operators.

\* Up to 7.5 m<sup>2</sup> door leaf surface for sectional garage door with SupraMatic E, up to 9 m<sup>2</sup> door leaf surface with SupraMatic P, up to max. 22 cm/s for larger door surfaces

### 4 Certified

Hörmann garage door operators are perfectly matched to the sectional garage doors and have been tested and certified in accordance with the TTZ directive “Break-in resistance for garage doors” **by independent test institutes.**

# SupraMatic 4

## Supra-fast door opening and smart additional functions

Open your door supra-fast with the hand transmitter, allowing direct access from the street into your garage. Thanks to the standard Bluetooth receiver, you can also operate your door via the Hörmann BlueSecur app, meaning that you always carry your door opener with you on your smartphone. And the stainless steel operator cover impresses with an exclusive design.



As standard with two 4-button hand transmitters HSE 4 BS, textured surface black with chrome caps

Garage door operators	SupraMatic E ■ NEW	SupraMatic P ■ NEW
Bluetooth receiver	Integrated, can be switched on and off	Integrated, can be switched on and off
HCP interface	Integrated	Integrated
Cycles per day / hour	25 / 10	50 / 10
Pull and push force	650 N	750 N
Peak force	800 N	1000 N
Max. opening speed	25 cm/s*	25 cm/s*
Lighting	20 LEDs	30 LED chase light
Max. door width	5500 mm	6000 mm
Max. door surface	13.75 m <sup>2</sup>	15 m <sup>2</sup>

\* Up to 7.5 m<sup>2</sup> door leaf surface for sectional garage door with SupraMatic E, up to 9 m<sup>2</sup> door leaf surface with SupraMatic P, up to max. 22 cm/s for larger door surfaces

\*\* in comparison with ProMatic 3

\*\*\* Optional climatic sensor required





## Special features



### Supra-fast door opening

An up to 75 % faster opening speed\*\* of up to 25 cm/s\* means you can access your garage faster.



### Smart app operation ■ NEW

Using the standard Bluetooth receiver, you can control the operator on your smartphone with the Hörmann BlueSecur app (see pages 34 – 35).



### Simple query of the door position

You can use the optional HS 5 BS hand transmitter or internal push button FIT 5 at any time to check that your garage door is closed.



### Convenient garage ventilation

Using the ventilation position\*\*\*, you can automatically ventilate your garage without completely opening the door (see pages 44 – 45).



### Switchable LED lighting

The operator light with 20 (SupraMatic E) or 30 LEDs (SupraMatic P) illuminates your garage very well and up to 3 or 5 times\*\* brighter.



### Easy-to-use programming

Connected accessories are automatically detected and the operator functions are set very easily by entering a two-digit number.



### Intelligent networking ■ NEW

Optional Smart Home system modules are easily connected via the HCP interface (see pages 36 – 37).



### Low power consumption

In standby, the operator uses less than 1 watt and protects the environment while also saving costs.

## Hörmann BlueSecur

Standard Bluetooth receiver for smartphone operation using the Hörmann BlueSecur app



# ProMatic 4

## Premium quality at an attractive price

You can open your garage door easily and quickly with the hand transmitter or radio button. Of course, you do not have to do without comfort, for example the ventilation function and uniform lighting. And thanks to the ProMatic Akku, you can enjoy all the benefits of an automatic operator in garages without a power connection.



As standard with two 4-button hand transmitters HSE 4 BS, textured surface black with plastic caps

Garage door operators	ProMatic 4 ■ NEW	ProMatic 2 Akku
Bluetooth receiver	Optional (HET-BLE)	
HCP interface	Integrated	
Cycles per day / hour	25 / 10	5 / 2
Pull and push force	600 N	350 N
Peak force	750 N	400 N
Max. opening speed	20 cm/s*	13 cm/s
Lighting	10 LEDs	1 LED light
Max. door width	5000 mm	3000 mm
Max. door surface	11.25 m <sup>2</sup>	8 m <sup>2</sup>

\* For sectional garage door

\*\* Not valid for ProMatic 2 Akku

\*\*\* in comparison with ProMatic series 3

\*\*\*\* Optional climatic sensor required





## Special features\*\*



### Quick door opening

An up to 40 % faster opening speed\*\*\* means you can drive conveniently into your garage.



### Simple query of the door position

You can use the optional HS 5 BS hand transmitter or internal push button FIT 5 at any time to check that your garage door is closed.



### Convenient garage ventilation

Using the ventilation position\*\*\*\*, you can automatically ventilate your garage without completely opening the door (see pages 44 – 45).



### Switchable LED lighting

The operator light with 10 LEDs illuminates your garage well and up to 2 times\*\*\* brighter.



### Intelligent networking ■ NEW

Optional Smart Home system modules are easily connected via the HCP interface (see pages 36 – 37).



### Low power consumption

In standby, the operator uses less than 1 watt and protects the environment while also saving costs.



### ProMatic 2 Akku for garages without a power connection

If your garage does not have a power connection, the ProMatic 2 Akku is the perfect solution for you. Depending on the frequency of daily door cycles you can control your operator up to several weeks. Once the battery is empty, you can recharge it via a standard power outlet, for example over night. The optional solar module is particularly convenient. It charges the battery automatically (see page 31).

**As standard**  
for all garage  
door operators



**Only from Hörmann**

Mechanical anti-lift kit in the operator boom

**Automatic door locking in the operator boom**

When the garage door is closed, the anti-lift kit **1** automatically engages in the guide rail stop. The door locks immediately and is secured against forced opening. This process is purely mechanical and thus also functions without a power supply!



Take a look at the video "Garage door operators – Reassuring security" at: [www.hormann.co.uk/videos](http://www.hormann.co.uk/videos)



**Exceptionally flat boom**

An exceptionally flat boom of only 30 mm height, **2** means that operators can be easily fit to any commercially available garage door and are therefore also ideal for retrofitting.

**Emergency release from the inside**

During power failures, you can open the door conveniently from the inside **3**.

**Universal link bracket**

The universal link bracket **4** fits all commercially available up-and-over and sectional doors.

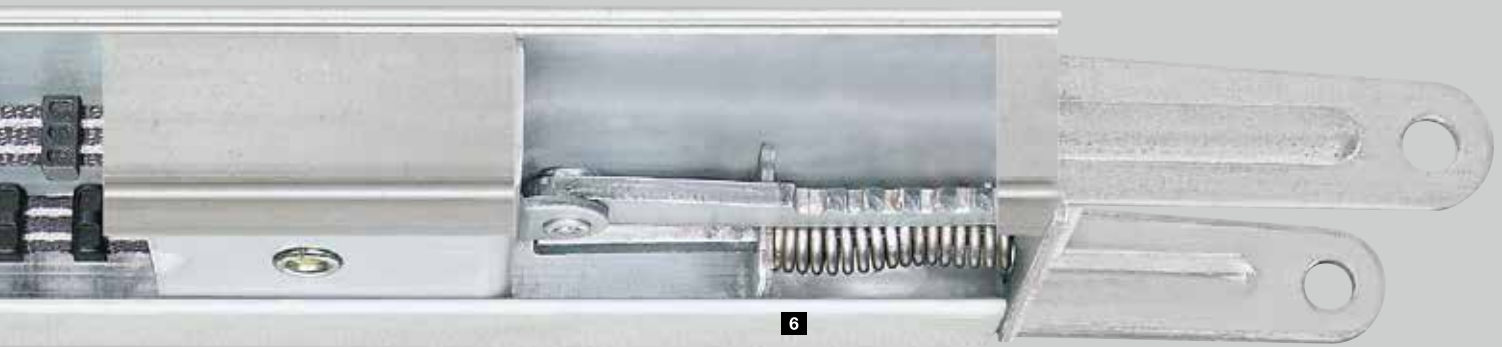
**Maintenance-free toothed belt**

Reinforced with aramid fibres, the Kevlar toothed belt **5** is particularly tear-resistant and quiet-running. It does not require grease or lubricants, providing an important advantage over chain or spindle operators.

**Automatic belt tension**

The strong spring mechanism **6** tensions the toothed belt automatically, thus ensuring uniform, smooth running.





### Compact unit

Hörmann doors, operators and booms form a compact, permanently connected unit. Additional control units and exposed, movable connecting leads are not necessary.

### Easy installation

Hörmann operators can be installed easily and quickly. Using the adjustable suspensions, you can fix the boom in a variety of ways: either to the ceiling or directly to the reinforced connection profile of the Hörmann sectional door (up to 3000 mm door width). An additional advantage: just one suspension is sufficient, even for long booms.

### Centre fitting

Centre fitting of the operator boom on the door leaf results in uniform pull forces. No jamming or wear, which is frequently the case with e.g. operators installed on one side.



### Easy fitting

For Hörmann sectional doors up to 3000 mm door width, the operator boom can simply be fitted on the connection profile of the door.



### Special track application for hinged garage doors

Thanks to simple fitting of the optional track application, retrofitting is also very easy.

# Automatic from the very beginning

Enjoy maximum operator comfort as soon as you access your property and equip your entrance gate with a remote-controlled operator. The practical additional functions offer you extra convenience. Upon request, your door closes automatically\* or opens only partially for practical pedestrian passage. By pressing the button on your hand transmitter HS 5 BS, you can also see whether the entrance gate is open or closed from the comfort of your own living room. With the RotaMatic, VersaMatic and LineaMatic Akku operators, you benefit from this convenient function even without having to lay power cables to your entrance gate.

\* An optional photocell is required to use this function.











# 1

## Secure

Thanks to the **automatic safety cut-out**, Hörmann entrance gate operators work reliably during all opening and closing phases. The **gate stops immediately if it encounters an obstacle**. Non-contact photocells detect persons or objects, providing additional safety. These can be easily and elegantly integrated into the safety key switch posts (see page 47) and positioned near the entrance – for maximum security in the area of travel of your hinged or sliding gate.

# 2

## Reliable

Hörmann entrance gate operators **offer quiet and reliable door travel thanks to the soft start and soft stop function**. The gate opens without a jolt and gently brakes before fully closing. This protects the gate and operator and does not disturb your neighbours.



### 3 Robust

High-quality entrance gate operators from Hörmann are **decidedly robust, ensuring that they remain in good mechanical condition over the long run.** Weather-resistant and lasting material ensures long-term function. Our RotaMatic version also comes with integral heating for use in especially cold regions.

### 4 Certified

Hörmann entrance gate operators work safely during all opening and closing phases. The operating forces for common gate sizes and fitting situations have been **tested and certified by independent test institutes** in accordance with DIN EN 13241-1.

# RotaMatic

## Slim and elegant

Thanks to its modern, slim design, the RotaMatic hinged gate operator perfectly matches your beautiful hinged gate. The functional and safety features are also exemplary. You can enjoy the convenience of an operator even if there is no direct connection to the mains supply. The RotaMatic Akku-Solar makes it possible.



Standard hand transmitter HS 5 BS black textured surface

Hinged gate operators	RotaMatic	RotaMatic P	RotaMatic PL	RotaMatic Akku-Solar
Bluetooth receiver	Optional (HET-BLE)	Optional (HET-BLE)	Optional (HET-BLE)	Optional (HET-BLE)
HCP bus connection	Integrated	Integrated	Integrated	Integrated
Cycles per day / hour	20 / 5	40 / 10	40 / 10	5 / 2
Max. spindle speeds	2.5 cm/s	2.5 cm/s	2.5 cm/s	1.5 cm/s
Max. pull / push force	2200 N	2700 N	2700 N	1100 N
Min. – max. door leaf width	1000 – 2500 mm	1000 – 2500 mm	1500 – 4000 mm	1000 – 2500 mm
Max. door leaf height	2000 mm	2000 mm	2000 mm	2000 mm
Max. weight	220 kg	400 kg	400 kg	120 kg





## Special features



### Practical pedestrian passage

With double-leaf doors, only one door leaf can be opened for pedestrian passage.



### Simple query of the door position

You can use the standard hand transmitter HS 5 BS or internal push button FIT 5 at any time to check if your entrance gate is closed (not for RotaMatic Akku-Solar).



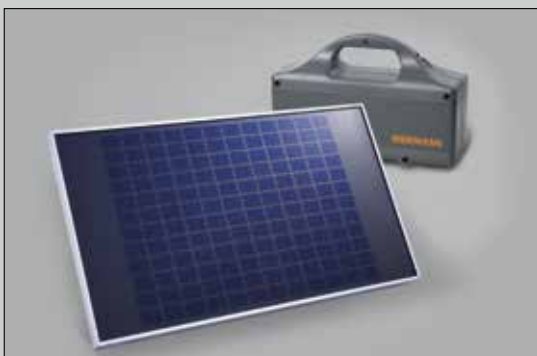
### Intelligent networking

Optional Smart Home system modules can be easily connected via the HCP interface (more on pages 36 – 37).



### Low power consumption

In standby, the operator uses less than 1 watt and protects the environment while also saving costs.



### RotaMatic Akku-Solar for entrances without power connection

If there is no power outlet near your entrance gate, the powerful RotaMatic Akku-Solar is the perfect solution for you. This powerful battery is securely stored in a separate housing. It is charged using the standard solar module (see page 31).

# VersaMatic

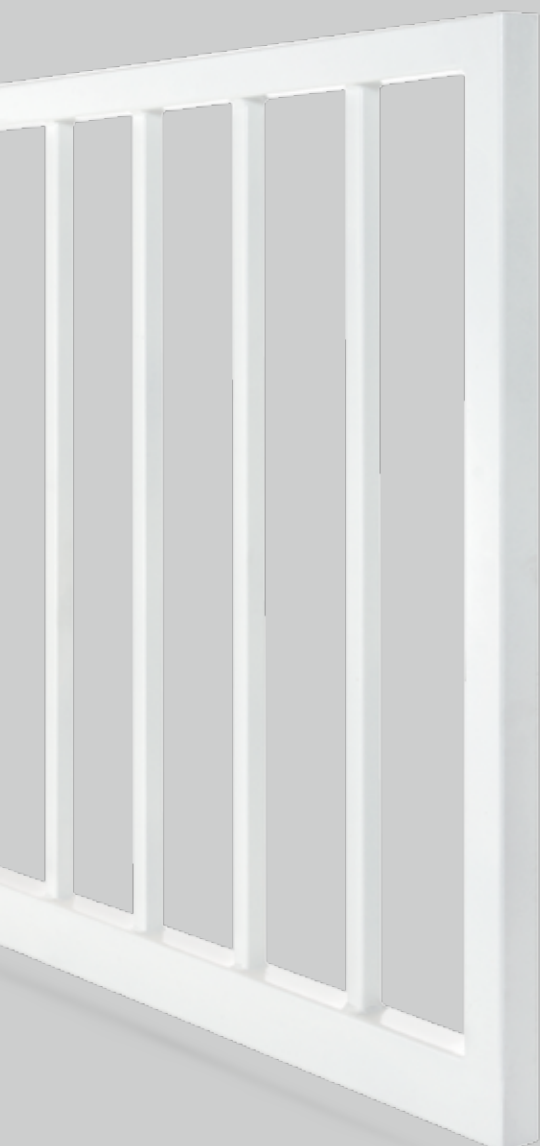
## Flexible for special fitting situations

The hinged gate operator VersaMatic is the perfect solution even for unusual fitting situations. It is suitable for fitting to very low door pillars, for example. In addition, the fitting position is variable and can be optimally adjusted to suit any situation. Furthermore, no separate controls have to be installed – this saves time and space.



Standard hand transmitter HS 5 BS black textured surface

Hinged gate operators	VersaMatic	VersaMatic P	VersaMatic Akku-Solar
Bluetooth receiver	Optional (HET-BLE)	Optional (HET-BLE)	Optional (HET-BLE)
HCP bus connection	Integrated	Integrated	Integrated
Cycles per day / hour	20 / 5	40 / 10	5 / 2
Maximum torque	250 Nm	300 Nm	200 Nm
Max. idling speeds	2.6 rpm	2.7 rpm	1.7 rpm
Min. – max. door leaf width	1000 – 2000 mm	1000 – 3000 mm	1000 – 2000 mm
Max. door leaf height	2000 mm	2000 mm	2000 mm
Max. weight	200 kg	300 kg	150 kg



## Special features



### Gentle door travel

The adjustable speed and the soft-start and soft-stop functions ensure a smooth door travel, even for larger gates.



### Practical pedestrian passage

With double-leaf doors, only one door leaf can be opened for pedestrian passage.



### Simple query of the door position

You can use the standard hand transmitter HS 5 BS or internal push button FIT 5 at any time to check if your entrance gate is closed.



### Intelligent networking

Optional Smart Home system modules can be easily connected via the HCP interface (more on pages 36 – 37).



### Low power consumption

In standby, the operator uses less than 1 watt and protects the environment while also saving costs.



### VersaMatic Akku-Solar for entrances without power connection

The possibilities to supply the VersaMatic with power are just as versatile as the operator itself. If you don't have a power connection near your door, you can use the standalone VersaMatic Akku-Solar. This powerful battery is securely stored in a separate housing. It is charged using the standard solar module (see page 31).



# LineaMatic

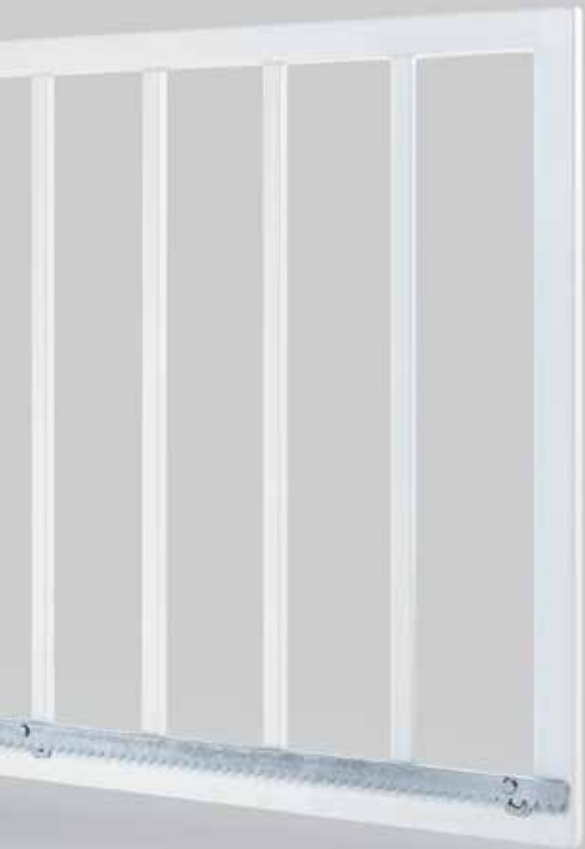
## Compact and reliable

Highlights of the sliding gate operator LineaMatic include its compact, height-adjustable housing made of zinc die-cast and glass-fibre reinforced plastic, as well as its reliable operator electronics.



Standard hand transmitter HS 5 BS black textured surface

Sliding gate operators	LineaMatic	LineaMatic P	LineaMatic H (no radio)	LineaMatic Akku-Solar
Bluetooth receiver	Optional (HET-BLE)	Optional (HET-BLE)	Optional (HET-BLE)	Optional (HET-BLE)
HCP bus connection	Integrated	Integrated	Integrated	Integrated
Cycles per day / hour	20 / 5	40 / 10	40 / 10	5 / 2
Max. door travel speeds	22 cm/s	20 cm/s	15 cm/s	15 cm/s
Max. pull / push force	2200 N	2700 N	2700 N	1100 N
Min. – max. door leaf width	800 – 6000 mm	800 – 8000 mm	800 – 10000 mm	800 – 6000 mm
Max. door leaf height	2000 mm	2000 mm	3000 mm	2000 mm
Max. weight	300 kg	500 kg	800 kg	200 kg
Max. self-supporting weight	250 kg	400 kg	600 kg	150 kg



## Special features



### Practical pedestrian passage

The door leaf can only be partially opened for pedestrian passage.



### Simple query of the door position

You can use the standard hand transmitter HS 5 BS or internal push button FIT 5 at any time to check if your entrance gate is closed (not for LineaMatic H).



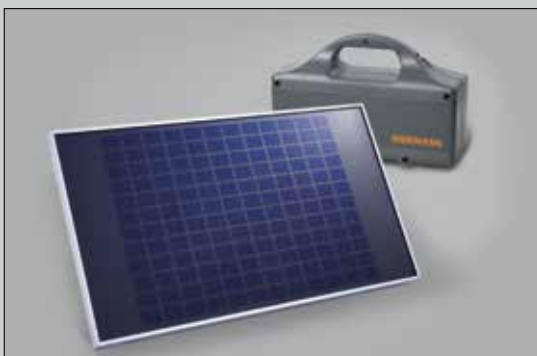
### Intelligent networking

Optional Smart Home system modules can be easily connected via the HCP interface (more on pages 36 – 37).



### Low power consumption

In standby, the operator uses less than 1 watt and protects the environment while also saving costs.



### LineaMatic Akku-Solar for entrances without power connection

The Akku-Solar variant is recommended if your entrance gate does not feature a power connection. This powerful battery is securely stored in a separate housing. It is charged using the standard solar module (see page 31).

# STA 400

## Robust for heavy gates

The sliding gate operator STA 400 is specifically designed for large gates. The matching control B 460 FU ensures precise door travel and smooth stopping.

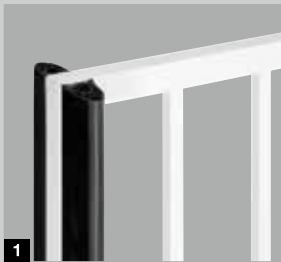


Sliding gate operator	STA 400
Bluetooth receiver	Optional (HET-BLE)
Cycles per day / hour	100 / 20
Max. pull / push force	2000 N
Min. – max. door leaf width	1000 – 17000 mm
Max. door leaf height	3000 mm
Max. weight	2500 kg
Max. self-supporting weight	1800 kg



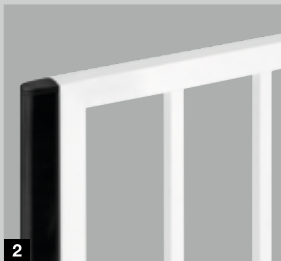
## For increased security

In many cases it makes sense to additionally increase the security of your entrance gate. With sound-absorbing seals you can reduce the risk of damage or injury; warning lights provide visual warning of door travel. Hörmann offers the perfect solution for all hinged or sliding gates.



### Sound-absorbing seal

A sound-absorbing seal reduces the forces that arise during a collision with vehicles or people and thus also reduces damage or injuries. It is sold separately for hinged gates **1** or sliding gates **2**. The operating forces for the operators RotaMatic, VersaMatic and LineaMatic with a sound-absorbing seal have been tested and certified for many gate sizes and fitting situations by a recognised test institute.



### **3** Electric lock

Hinged gates are subjected to enormous forces under high wind loads. An additional electric lock secures them from being blown open.



### **4** Warning light

A warning light during door travel provides you with extra security, day and night.





## For increased independence

Even without a power outlet you do not have to forgo the convenience of an operator: In the optional Akku or Akku-Solar version, Hörmann garage and entrance gate operators can be operated for up to several weeks without an external power supply. With the ProMatic Akku, the battery can be simply recharged via a power outlet, for instance over night. The solar module makes recharging the battery even more convenient.



### 1 Easy recharging

A practical carrying handle and its light weight make it easy to transport the battery for charging via a power outlet.



### 2 Solar module

The solar module can be used to recharge the battery. Delivery includes fitting material, 10 m connecting lead and charge controller, dimensions: 330 x 580 mm.

	ProMatic Akku	RotaMatic Akku-Solar	VersaMatic Akku-Solar	LineaMatic Akku-Solar
Solar module	Optional	As standard	As standard	As standard
Operation period*	approx. 40 days	approx. 30 days	approx. 30 days	approx. 30 days
Recharging**	approx. 5 – 10 hours using the power outlet or optionally using the solar module	approx. 5 – 10 hours via power outlet or using the solar module	approx. 5 – 10 hours via power outlet or using the solar module	approx. 5 – 10 hours via power outlet or using the solar module
Weight (in kg)	8,8	8,8	8,8	8,8
Dimensions (in mm)	320 x 220 x 115	320 x 220 x 115	320 x 220 x 115	320 x 220 x 115

\* Based on an average of 4 door cycles per day and an ambient temperature of 20 °C

\*\* Depending on the charge level

## As individual as you

Be it radio, smartphone app or external Smart Home system – choose your personal favourite to conveniently control your operators, locks or other devices. In the overview you can see which technology suits your requirements.

- 1 Garage door operators
- 2 Entrance gate operators
- 3 Entrance door locks
- 4 Internal door operators
- 5 Receiver for electrical devices
- 6 Lighting
- 7 Light screen and blinds\*
- 8 Monitoring\*
- 9 Climate control\*
- 10 House automation\*

\* depending on the Smart Home system



### Secure radio system

The **certified BiSecur system** is integrated in every door and gate operator with a standard radio receiver and offers a particularly secure radio connection as well as **100 % compatibility**. Benefit from the many operating and connection options – from the hand transmitter to the interior and exterior buttons to receivers and door locks (see pages 40 – 42).





**Smart app operation**

With the new **Hörmann BlueSecur App**, you have all the operator functions easily accessible on your smartphone and can conveniently **control all your gates and doors** equipped with a Bluetooth receiver. Using individual user keys, you can transfer authorisations very simply to other smartphones, so that every family member always has their door opener with them (see pages 34 – 35).

**Intelligent networking**

Via the **standard HCP interface**, you can network your garage door and entrance gate operators **with external Smart Home systems** using optional modules. Benefit from the numerous operating, energy and safety functions of Homematic and DeltaDore (see pages 36 – 37).

## Smart app operation



With the new Hörmann BlueSecur app, you always have your door and gate opener on your smartphone. Use the individual adjustment options and customise the functions and user interfaces according to your wishes. Transfer permanent or temporary user permissions\* to other smartphones. Your children or your spouse do not have to take a key with them, and your neighbour can enter your house to water your plants while you are away on holiday.

\* Extra purchases (in-app purchases) in the AppStore or Google Play may be required



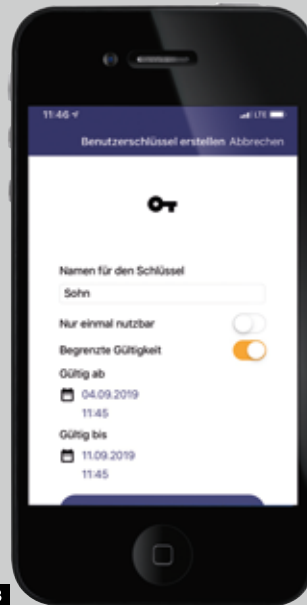
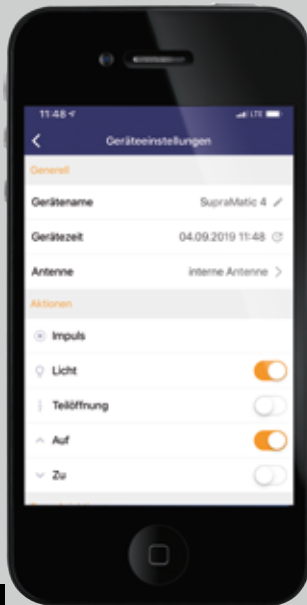


## Easy installation

- Download the Hörmann BlueSecur app
- Scan the QR code for the operator or external receiver on the Hörmann BlueSecur card **1**
- Automatic transmission of control functions to the smartphone
- Individual setting of the desired functions by the user

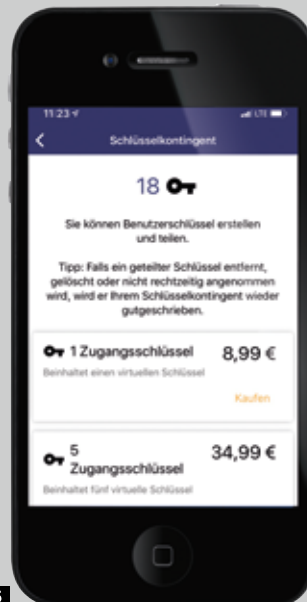
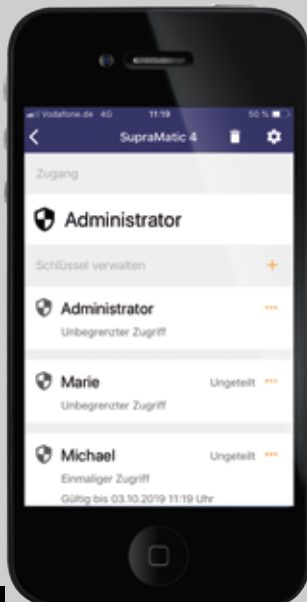
## Convenient operation

- Via smartphone; no hand transmitter or control element required
- Custom receiver and device names as well as control function names **2**
- Individual selection of control functions per receiver / operator



## Individual user administration

- One free user key included (with automatic admin function) **3**
- Additional permanent user keys **4** for transfer to additional smartphones available in the AppStore or at Google Play **5**
- Small set of keys for £ 7.99 (1 admin or user key)
- Set of 5 keys for £ 30.99 (5 user keys or 1 admin and 4 user keys)





## Intelligent networking

Integrate your garage door and entrance gate operators easily and safely into your Smart Home system. These can then be operated via your tablet or smartphone. Secure your home at night or when you are on holiday and lock your entrance door and close your doors automatically. Benefit from the many functions offered by automatic door operators in your smart home.

For an exact list of compatible Hörmann products, please visit [www.hormann.co.uk/media-centre](http://www.hormann.co.uk/media-centre)







## homematic<sup>IP</sup>

Module with radio connection to the Smart Home system



Security



Convenience



Energy-saving



Lighting



Roller shutters



Climate

## DELTA DORE

Module with radio connection to the Smart Home system



Security



Convenience



Energy-saving



Lighting



Roller shutters

## HCP HUB3

For connecting up to 3 HCP modules / several Smart Home systems\* to an HCP interface on the operator



\* in combination with adapter HAP 1

## More convenience for your home

For all those who attach great importance to reliable quality, intelligent technology and exclusive design, we offer an accessory programme that leaves nothing to be desired. Open your gates and doors via fingerprint or code entry or use the Hörmann radio socket or other radio receivers to operate electrical devices (e.g. lights, household appliances etc.). With light and security accessories you can also illuminate your entrance area and make garage door and entrance gate operation even more secure. Or open and close your internal doors conveniently with the Hörmann PortaMatic operator and enjoy barrier-free living in your home.



For additional information, consult the "Door operator PortaMatic" brochure.







**Hand transmitter HS 5 BS**  
4 button functions, plus query button,  
1 High-gloss surface black or white  
2 Textured surface black



**Hand transmitter HS 4 BS**  
4 button functions,  
3 Textured surface black

**Hand transmitter HS 1 BS**  
1 button function,  
4 Textured surface black

**Hand transmitter HSE 1 BS**  
1 button function, including eyelet for key ring  
5 Textured surface black



**Hand transmitter HSE 4 BS**  
4 button functions, including eyelet for key ring  
6 Textured surface black with chrome or plastic caps

**Hand transmitter HSE 2 BS**  
2 button functions, including eyelet for key ring  
7 High-gloss surface black or white  
8 High-gloss surface green, purple, yellow, red, orange  
9 Decor in silver, carbon, dark rootwood

(Shown from left)







10

11

**10 Hand transmitter  
HSD 2-A BS**

Aluminium look, 2 button functions, can also be used as a key ring

**11 Hand transmitter  
HSD 2-C BS**

High-gloss chrome, 2 button functions, can also be used as a key ring



12

**12 Hand transmitter HSP 4 BS**

4 button functions, with button lock-out incl. key ring



13

14

**13 Hand transmitter HSZ 1 BS**

1 button function, for insertion in vehicle cigarette lighter

**14 Hand transmitter HSZ 2 BS**

2 button functions, for insertion in vehicle cigarette lighter



15

**15 Hand transmitter holder including visor clip**

For wall fitting or fastening to the sun visor of your car, transparent, available in 2 versions for: HS 5 BS, HS 4 BS, HS 1 BS and HSE 2 BS, HSE 1 BS



**Radio internal push button  
FIT 1 BS**

1 button function with large button for simple operation



**Radio internal push button  
FIT 4 BS**

4 button functions



**Radio internal push button  
FIT 5 BS**

4 button functions plus query button



**Radio internal push button  
FIT 2-1 BS**

For 2 functions, connection option for max. 2 control elements via cable, e.g. key switch



**Recessed radio transmitter**

For two functions, for recessed buttons, central installation in the house within sight of the garage door

**HSU 2 BS:** for switch boxes with 55 mm Ø with connection to the house mains supply

**FUS 2 BS:** for switch boxes with 55 mm Ø, including 1.5 V battery



**Radio code switch  
FCT 3 BS ■ NEW**

For 3 functions, with illuminated buttons, recessed and surface-mounted fitting possible



**Radio receiver electric  
socket FES 1 BS**

For switching lights as well as other devices on and off, up to 2500 W

**FES 1-1 BS**

For controlling (impulse) operators of other makes and switching lights and other devices on and off, up to 2500 W



**Radio code switch  
FCT 10 BS ■ NEW**

For 10 functions, with illuminated buttons and hinged cover, recessed and surface-mounted fitting possible



**Bluetooth receiver  
HET-BLE ■ NEW**

For operation, impulse control of garage door and entrance gate operators, electric strikes for entrance doors and internal door operators via the Hörmann BlueSecur app



**Radio finger-scan  
FFL 25 BS ■ NEW**

For 2 functions and up to 25 fingerprints with hinged cover, recessed and surface-mounted fitting possible



**Radio receiver ESE**

For choosing direction "Open – Stop – Close" via different buttons of a control element, for SupraMatic operator



**Radio receiver HER 1**

(1, 2 or 4 channels) to operate an additional external light or a garage door (of other make) using Hörmann radio accessories



**Transponder key switch  
TTR 1000-1**

For 1 function, for 1000 teachable keys, 1 key and 1 card in scope of delivery (more on request)



**Internal push button IT 1b-1**  
Large, illuminated button for convenient opening of the door



**Code switch CTP 3-1**  
For 3 functions, with illuminated lettering and touch-sensitive black surface



**Internal push button IT 3b-1**  
Large button with illuminated ring for opening of the door, buttons for the operator light and to switch off the radio control



**Code switch CTR 1b-1 / 3b-1**  
For 1 or 3 functions



**key switch**  
**1 STUP 50**  
**2 STAP 50**  
In a recessed version and surface-mounted version, including 3 keys



**Code switch CTV 3-1**  
For 3 functions, particularly robust with metal keypad



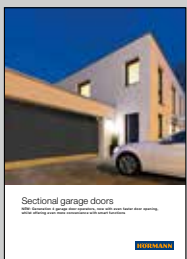
**Key switch ESU 40 / ESA 40**  
In a recessed version and surface-mounted version, including 3 keys



**Finger-scan FL 150**  
For 2 functions, control via fingerprint, up to 150 savable fingerprints

## Optimum ventilation of the garage can effectively prevent mould

It is very important to ventilate the garage regularly; especially if insulated garage doors are fitted in poorly insulated garages. The climate sensor automatically regulates the right ventilation. It automatically opens the door if humidity in your garage is too high. The door is automatically closed once humidity in the garage has been regulated again.



For more detailed information, please see the "Sectional garage doors" brochure.





1



2

### 1 Inside climatic sensor HKSI\* for automatic garage ventilation

- For monitoring humidity and automatic ventilation of the garage
- If humidity is too high, the door is automatically opened and then automatically closed again once humidity is adjusted
- Automatic opening and closing of the door via the “ventilation position” operator function without the need to install an additional safety photocell
- Adjustable temperature range for which the gate does not open (e.g. if there is a risk of frost in the garage)
- Adjustable operating hours (e.g. overnight shut-off) and opening times (e.g. max. 2 hours per ventilation)
- Can be extended with the external sensor HKSA 2, which measures outside air humidity and prevents the door from being opened at higher levels, and with an integrated ventilation fan for quick and effective ventilation

### 3 Ventilation slot on the topmost section for sectional garage doors



3

- Ventilation slot through optional folding roller bracket on the top section
- Bottom door section remains sealed on the ground, thus keeping small animals and leaves out
- Automatic opening and closing via the “ventilation position” operator function of the HKSI climate sensor or via Smart Home systems connected to the HCP bus of the operator
- Manual opening and closing by hand transmitter or button
- Optionally available for all sectional garage doors LPU 67 Thermo\*, LPU 42\*\* with operator
- All sectional garage doors LPU 42\* can be retrofitted with operator SupraMatic or ProMatic (from year of manufacture 2012)

\* for the operators SupraMatic 4 (from 10.2019), SupraMatic 3 (from 07.2013, Index C), ProMatic 4 (from 10.2019) and WA 300 S4 (from 01.2014, Index D)

\*\* Only track application N, L, Z, not for doors with wicket door



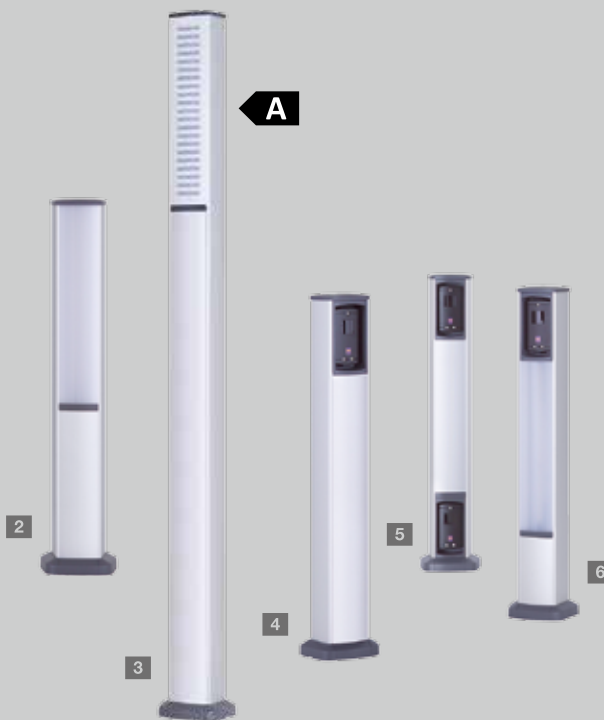




## LED lighting for doors

An LED light strip **1** with neutral white light puts your door and side door in the right light. The plug-in system can be shortened individually, making it a perfect fit for any door width. You can arrange the LED light strip at the lintel (figure on the left) or bottom edge of the door leaf.

LED distance: 125 mm  
Energy efficiency class A



## Light and security accessories

Hörmann key switch post sets made out of weather-resistant, anodised aluminium offer you more light and security. The posts can be individually equipped using variable inserts for photocells and LED light modules.

### Light key switch post

#### **2 SLS-K**

With LED light module  
Height 550 mm

#### **3 SLS-L**

With LED light module and design panel  
Height: 1080 mm

Energy efficiency class A

### Safety key switch post STL

**4** Basic version with support box for a photocell with height of 550 mm

**5** Two optional photocells

**6** An optional photocell and LED light module

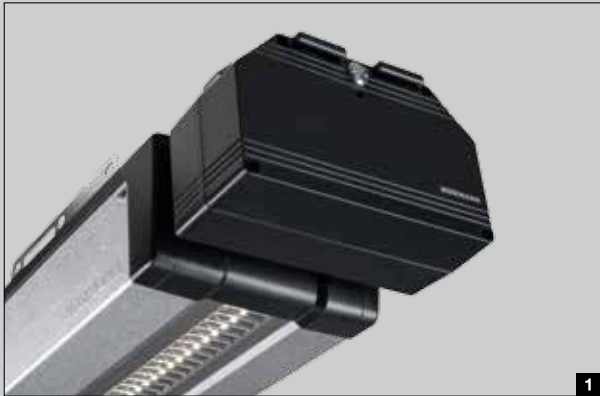


### LED light modules

You can choose between warm **7** and neutral **8** white light for light modules. The optional aluminium design panel creates a special accent **9**.







## Emergency power supply

### 1 Emergency battery HNA for garage door operators

With this emergency power, you can bypass network power failures for up to 18 hours and max. 5 door cycles. The emergency battery recharges itself during normal operation. Emergency batteries can be added to all current Hörmann garage door operators.



### 2 Emergency battery HNA Outdoor for entrance gate operators

The RotaMatic and VersaMatic hinged gate operators, and LineaMatic sliding gate operator can also be equipped with an emergency power supply to bridge power failures. They can be universally fitted to the wall or floor.

## Additional emergency release

For garages without a second entrance, we offer you the following options to open your garage door from the outside in case of emergency (e.g. power failure):



### 3 Sectional doors without handle

The emergency release lock with an inconspicuous round cylinder (cannot be integrated in the master key system) releases your garage door and you can easily open it in the case of an emergency.



### 4 Up-and-over and sectional doors with handle

For up-and-over and sectional doors with a handle, you can use a door handle to operate the emergency release. The door is then unlocked via a Bowden cable on the inside. The emergency release handle including lock can be integrated in the master key system (Figure shows door handle for sectional garage door).






## Security

### 5 Photocell

Hörmann's reliable one-way photocells immediately stop the gate if the light beam is interrupted. They can be directly fitted to the gate or integrated in STL key switch posts (see page 47).



## Garage door operators SupraMatic, ProMatic

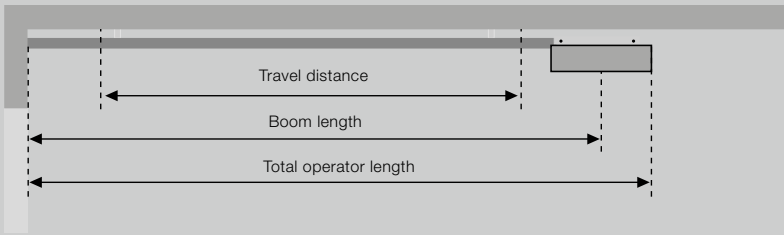
		 <b>BiSecur</b> SupraMatic E	 <b>BiSecur</b> SupraMatic P	 <b>BiSecur</b> ProMatic	<b>ProMatic Akku</b>
<b>Door cycles (open / close)</b>	Per day / hour	25 / 10	50 / 10	25 / 10	5 / 2
<b>Suitable for:</b>	Doors with wicket door / timber doors	● / ●	● / ●	● / ●	- / -
	Max. door width	5500 mm	6000 mm	5000 mm	3000 mm
	Max. door leaf surface	13.75 m <sup>2</sup>	15.00 m <sup>2</sup>	11.25 m <sup>2</sup>	8 m <sup>2</sup>
<b>Operator data</b>	24 V DC gear drive	●	●	●	●
	Mains voltage	230 V – 240 V AC			See the technical manual
	Power input	0.2 kW	0.2 kW	0.2 kW	
	Pull and push force	650 N	750 N	600 N	350 N
	Brief peak force	800 N	1000 N	750 N	400 N
	Max. opening speed	25 cm/s*	25 cm/s*	20 cm/s**	13 cm/s
	Standby	< 1 watt	< 1 watt	< 1 watt	< 0.1 watt
	Housing	Stainless steel and plastic, galvanized steel base plate		Plastic, galvanized steel base plate	
	Temperature range	-20 °C to +60 °C			-15 °C to +45 °C
	Protection category	Only suitable for dry rooms			
<b>Control electronics</b>	Display	Double 7-segment display		LED	
	Operation and programming	Control element with buttons		in the operator cover	
	Impulse control	●	●	●	●
	Adjustable power limit	●	●	●	●
	Adjustable soft start and soft stop	●	●	-	-
	Adjustable belt relief	●	●	●	●
	Adjustable operator light, partial opening and ventilation position	●	●	●	-
	Adjustable automatic timer	5 – 300 s	5 – 300 s	30 – 180 s	-
	Adjustable automatic timer partial opening	5 – 240 s	5 – 240 s	-	-
	Adjustable / pre-set operator light	30 – 600 s / 60 s	30 – 600 s / 60 s	- / 120 s	● / 30 s
High-speed opening	●	●	●	-	
<b>Equipment</b>	Hand transmitter (868 MHz)	Two, 4-button hand transmitters HSE 4 BS (black structured surface with chrome caps)		Two, 4-button hand transmitters HSE 4 BS (textured surface black with plastic caps)	
	Integrated receiver (868 MHz)	Bi-directional 5-channel receiver BS			Receiver fixed code
	Bluetooth receiver	●	●	○***	-
	LED lighting / LED chase light	20 LEDs / -	30 LEDs / ●	10 LEDs / -	- / -
	Connection for photocell / closing edge safety device	● / ●	● / ●	● / ●	- / -
	Connection of external control elements	●	●	●	-
	Connection for emergency battery	●	●	●	-
	Quick release operated from the inside	●	●	●	●
	Connecting lead with Euro plug	●	●	●	-
	Anti-lift kit for break-in resistance	●	●	●	●
Universal installation bracket for up-and-over doors and sectional doors	●	●	●	●	

\* Up to 7.5 m<sup>2</sup> door leaf surface for sectional garage door with SupraMatic E, up to 9 m<sup>2</sup> door leaf surface with SupraMatic P

\*\* For sectional garage door

\*\*\* In conjunction with receiver HET-BLE

● = Standard  
○ = Optional

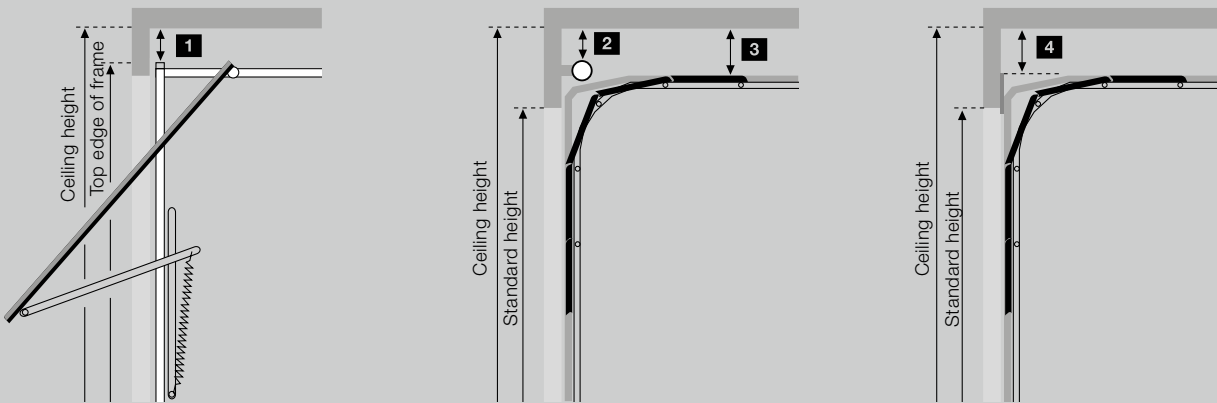


Type of boom	Overall length	Boom length	Travel distance
<b>K</b> Short boom	3200	2975	2475
<b>M</b> Medium boom	3450	3225	2725
<b>L</b> Long boom	4125	3900	3400

#### Boom applications for Hörmann garage doors

	Height
<b>K</b> Up-and-over garage doors Sectional garage doors with track application N Sectional garage doors with track application Z, L, H	Up to 2500 Up to 2250 Up to 2125
<b>M</b> Up-and-over garage doors Sectional garage doors with track application N Sectional garage doors with track application Z, L, H	Up to 2750 Up to 2500 Up to 2375
<b>L</b> Sectional garage doors with track application N, Z, L, H	Up to 3000

Note the travel distance for doors of other makes!



#### Required space

<b>1</b> Up-and-over garage doors		<b>2</b> Garage sectional doors with torsion spring assembly		<b>4</b> Garage sectional doors with tension spring assembly	
N 80	0	With track application N; ceiling height = standard height + 210	0	With track application Z; ceiling height = standard height + 115	15
N 80, style 905, style 941 or with timber infill	15	With track application H	0		
DF 98, DF 95, DF 80	65				

#### Please note:

The operators on double-skinned doors directed towards the sunlight should be fitted 40 mm higher due to possible section deflection.

All dimensions are minimum dimensions in mm.




#### **3** Garage sectional doors with torsion spring assembly

With track application L ceiling height = standard height + 115

#### Doors of other makes

Between the highest point of door travel and the ceiling 30

Hinged gate operators RotaMatic

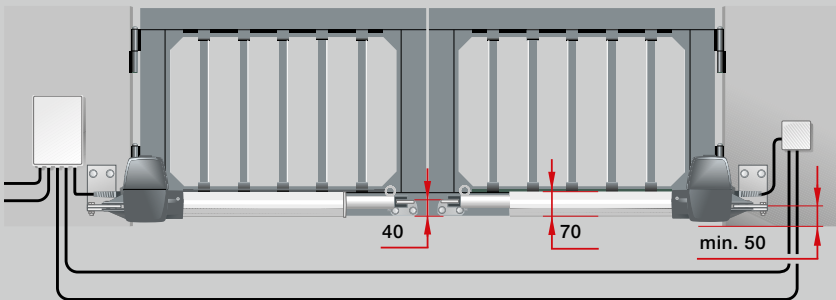
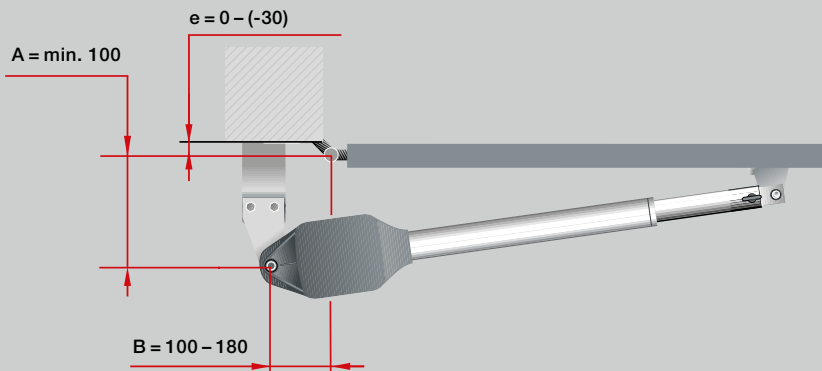
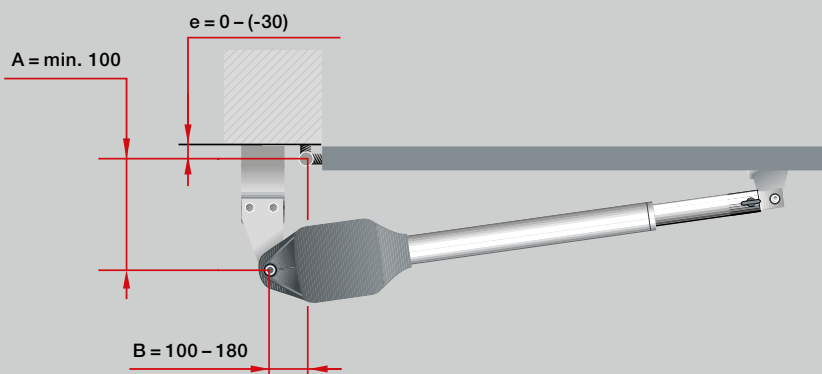
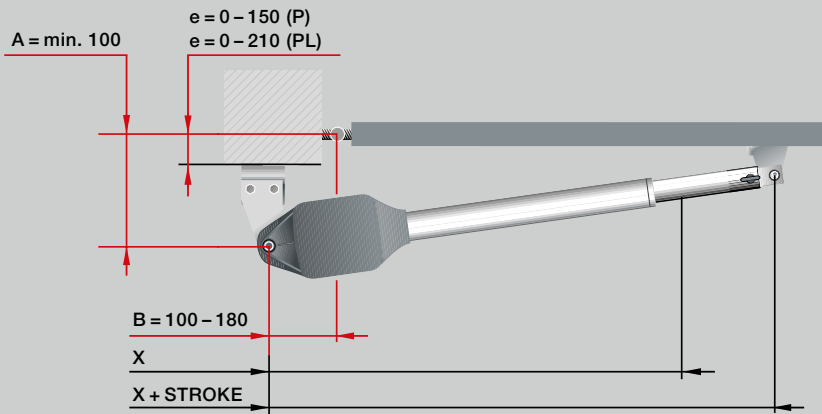
		 <b>BiSecur</b> RotaMatic	 <b>BiSecur</b> RotaMatic P	 <b>BiSecur</b> RotaMatic PL	<b>RotaMatic</b> Akku-Solar
<b>Door cycles (open / close)</b>	Per day / hour	20 / 5	40 / 10	40 / 10	5 / 2
<b>Suitable for:</b>	Max. door height	2000 mm	2000 mm	2000 mm	3000 mm
	Leaf width min. – max.	1000 – 2500 mm	1000 – 2500 mm	1500 – 4000 mm	1000 – 2500 mm
	Max. door leaf weight	220 kg	400 kg	400 kg	120 kg
<b>Operator data</b>	Motor	24 V DC gear drive			
	Mains voltage	230 V – 240 V AC, 50 Hz			See the technical manual
	Max. spindle speeds	2.5 cm/s	2.5 cm/s	2.5 cm/s	1.5 cm/s
	Pull / push force	2000 N	2500 N	2500 N	1000 N
	Brief peak force	2200 N	2700 N	2700 N	1100 N
	Standby	< 1 watt	< 1 watt	< 1 watt	< 0.1 watt
	Housing	Aluminium / weather-resistant plastic	Aluminium / die-cast zinc / weather-resistant plastic	Aluminium / die-cast zinc / weather-resistant plastic	Aluminium / weather-resistant plastic
	Temperature range	-20 °C to +60 °C			-15 °C to +45 °C
	Protection category	IP 44	IP 44	IP 44	IP 44
	<b>Control electronics</b>	Protection category (separate control housing)	IP 65	IP 65	IP 65
	Impulse control	●	●	●	●
	Power limit	●	●	●	●
	Soft start and soft stop	●	●	●	●
	Adjustable automatic timer	●	●	●	●
	Number of connectable safety devices	3	3	3	1
<b>End-of-travel position</b>	Closed	Can be set with an integrated limit switch or end stop			
	Open	Programmable (i.e. no end stop required!)			
<b>Equipment</b>	Hand transmitter (868 MHz)	HS 5 BS (textured surface black)			HSE 4 BS (textured surface black with plastic caps)
	Integrated receiver (868 MHz)	Bi-directional 5-channel receiver			Fixed code receiver for the impulse and partial opening functions
	Query of the door position		●		–
	Bluetooth receiver	○*	○*	○*	○*
	<b>Electrical connection</b>	Electric connecting lead	230 V, NYY 3 × 1.5 mm <sup>2</sup> (on-site)		
	Motor cable	Connecting lead up to 10 m NYY 5 × 1.5 mm <sup>2</sup> (on-site)			
	Additional connection cable	All cables underground NYY, e. g. 5 × 1.5 mm <sup>2</sup>			
	Electric lock connection lead	NYY 3 × 1.5 mm <sup>2</sup> (on-site) underground H07RN-F 2 × 1 mm <sup>2</sup> on the door leaf			

Lay all cables separately!

\* In conjunction with receiver HET-BLE

● = Standard  
○ = Optional





All dimensions are minimum dimensions in mm.

## RotaMatic

Dimensions	x	x + stroke
RotaMatic / RotaMatic P	720	1120
RotaMatic PL	820	1320

e = distance between door pivot and mounting plate



### For Hörmann partners



With the planning program for hinged gate operators, Hörmann supports you in planning and fitting your hinged gate operator. You can find the program in the Hörmann dealer forum as a free download.

### Please note:

To ensure optimum door travel, the maximum difference between the A dimension and the B dimension must be 40 mm.

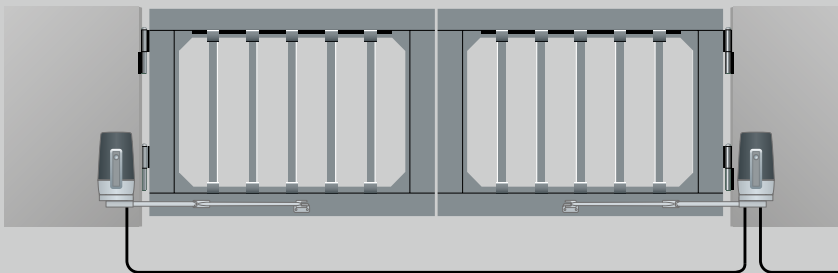
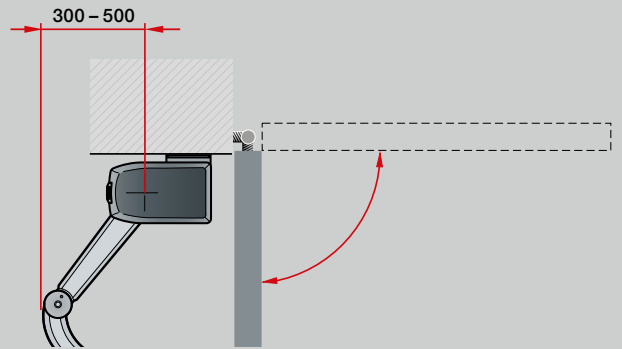
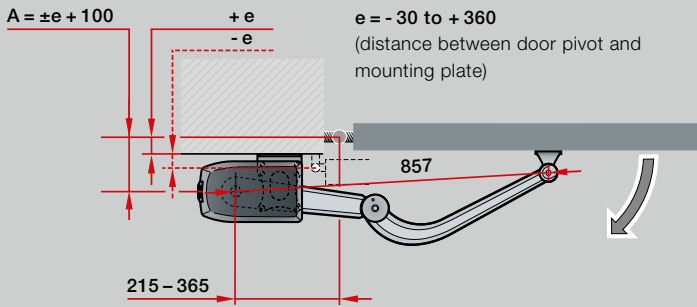
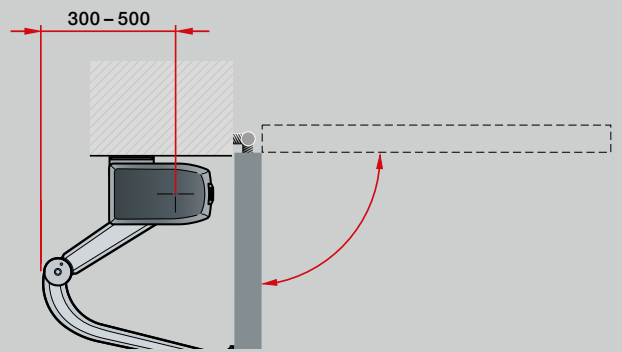
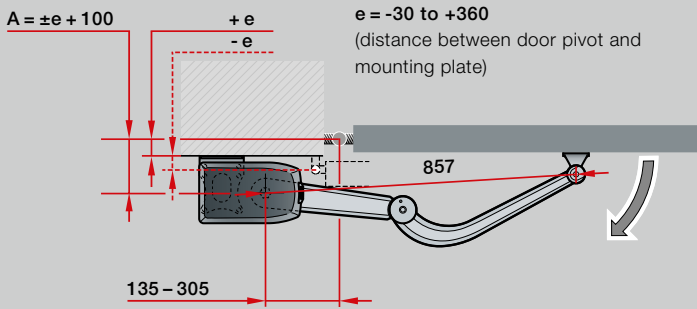
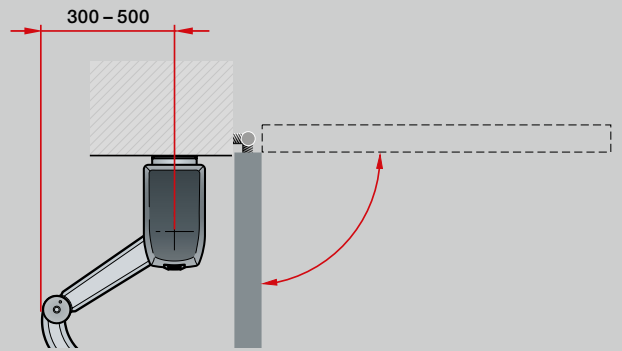
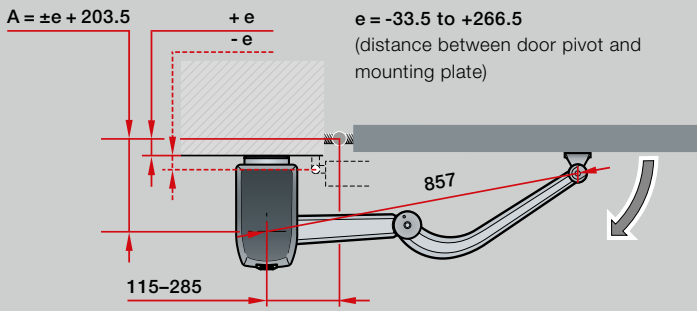
All illustrations and information with standard tracks. Additional equipment features possible.

## Hinged gate operators VersaMatic

		 <b>BiSecur</b>	 <b>BiSecur</b>	
		<b>VersaMatic</b>	<b>VersaMatic P</b>	<b>VersaMatic Akku-Solar</b>
<b>Door cycles (open / close)</b>	Per day / hour	20 / 5	40 / 10	5 / 2
<b>Suitable for:</b>	Max. door height	2000 mm	2000 mm	2000 mm
	Leaf width min. – max.	1000 – 2000 mm	1000 – 3000 mm	1000 – 2000 mm
	Max. door leaf weight	200 kg	300 kg	120 kg
<b>Operator data</b>	Motor	24 V DC gear drive		
	Mains voltage	230 V – 240 V AC, 50 Hz		
	Nominal torque	50 Nm	60 Nm	50 Nm
	Maximum torque	250 Nm	300 Nm	250 Nm
	Maximum idle speed	2.6 rpm	2.7 rpm	1.7 rpm
	Standby	< 1 watt	< 1 watt	< 0.4 watts
	Housing	Aluminium / zinc die-cast / weather-resistant, glass-fibre reinforced plastic		
	Temperature range	-20 °C to +60 °C		-15 °C to +45 °C
	Protection category	IP 44	IP 44	IP 44
	Protection category (separate control housing)	IP 65	IP 65	IP 65
<b>Control electronics</b>	Impulse control	●	●	●
	Power limit	●	●	●
	Soft start and soft stop	●	●	●
	Adjustable automatic timer	●	●	●
	Number of connectable safety devices	3	3	1
	<b>End-of-travel position</b>	Closed	Adjustable via integrated end stop or end stop on site	
Open		Adjustable through integrated end stop or programmable (i.e. no on-site end stop required!)		
<b>Equipment</b>	Hand transmitter (868 MHz)	HS 5 BS (textured surface black)		
	Integrated receiver (868 MHz)	Bi-directional 5-channel receiver		
	Query of the door position		●	
	Bluetooth receiver	○*	○*	○*
<b>Electrical connection</b>	Electric connecting lead	230 V, NYY 3 × 1.5 mm <sup>2</sup> (on-site), max. length 30 m		
	Motor cable	NYY 5 × 1.5 mm <sup>2</sup> (on-site)		
	Additional connection cable	All cables underground NYY, e. g. 5 × 1.5 mm <sup>2</sup> (on-site, max. length 30 m)		
	Electric lock connection lead	NYY 3 × 1.5 mm <sup>2</sup> (on-site, maximum length 30 m) underground H07RN-F 2 × 1 mm <sup>2</sup> on the door leaf		

**Lay all cables separately!**

\* In conjunction with receiver HET-BLE



All dimensions are minimum dimensions in mm.

**Please note:**

All illustrations and information with standard tracks. Additional equipment features possible.

## DIMENSIONS AND FITTING DATA

### Sliding gate operators LineaMatic, STA 400

		BiSecur		BiSecur	
		LineaMatic	LineaMatic P	LineaMatic H	STA 400
<b>Door cycles (open / close)</b>	Per day / hour	20 / 5	40 / 10	40 / 10	100 / 20
<b>Suitable for:</b>	Max. door height	2000 mm	2000 mm	2000 mm	3000 mm
	Min. – max. door width	800 – 6000 mm	800 – 8000 mm	800 – 10000 mm	1000 – 17000 mm
	Max. door weight				
	For bottom-guided gates	300 kg	500 kg	800 kg	2500 kg
	For self-supporting gates	250 kg	400 kg	600 kg	1800 kg
<b>Operator data</b>	Motor	24 V DC gear drive			1-phase current gear drive
	Mains voltage	230 V – 240 V AC, 50 Hz			
	Max. door travel speeds	22 cm/s	20 cm/s	15 cm/s	
	Pull / push force	650 N	1000 N	1200 N	2000 N
	Brief peak force	800 N	1200 N	1400 N	2300 N
	Standby	< 1 watt	< 1 watt	< 1 watt	< 7 Watt
	Housing	Zinc die-cast / weather-resistant plastic			Weather-resistant plastic
	Temperature range	-20 °C to +60 °C			
	Protection category	IP 44	IP 44	IP 44	IP 65
	<b>Control electronics</b>	Control integrated in the housing	●	●	●
Adjustable power limit		●	●	●	●
Adjustable soft start and soft stop		●	●	●	●
Magnetic limit switch		●	●	●	
Electronic door position sensor					●
Integrated automatic timer		●	●	●	●
Pedestrian passage programmable		●	●	●	●
Number of connectable safety devices		3	3	3	3
<b>Equipment</b>	Hand transmitter (868 MHz)	HS 5 BS (textured surface black)			Without remote control
	Integrated receiver (868 MHz)	Bi-directional 5-channel receiver			
	Query of the door position		●	○*	–
	Bluetooth receiver	○**	○**	○**	○**
<b>Electrical connection</b>	Electric connecting lead	230 V, NYY 3 × 1.5 mm <sup>2</sup> (on-site)			
	Additional connection cable	All cables underground NYY, e. g. 5 × 1.5 mm <sup>2</sup>			
	Foundation dimensions	Min. 440 × 300 × 800 mm (frost-resistant)			710 × 410 × 800 mm (frost-resistant)
	Connecting lead	See Figure for position of tube			

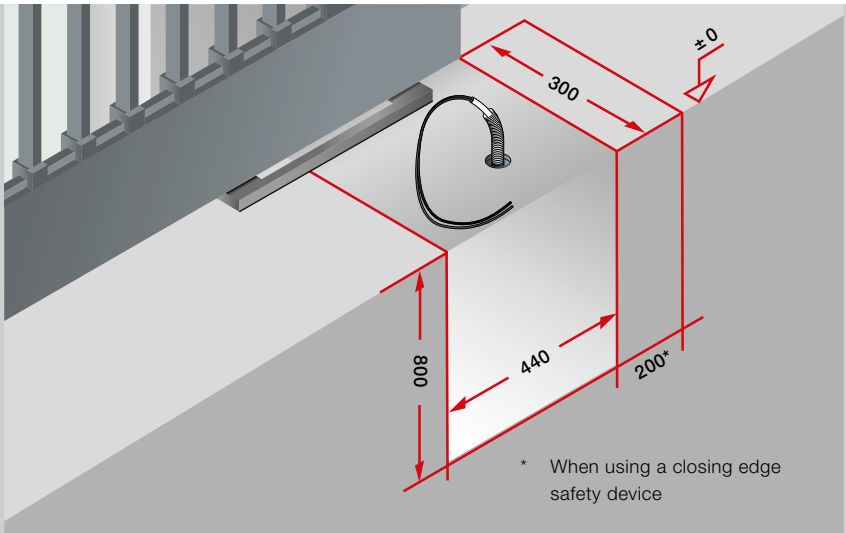
Lay all cables separately!

\* Optional with ESE

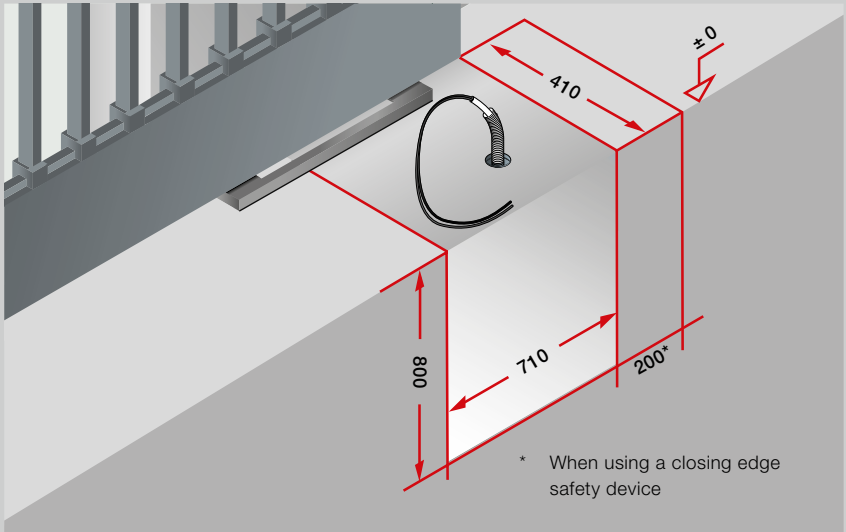
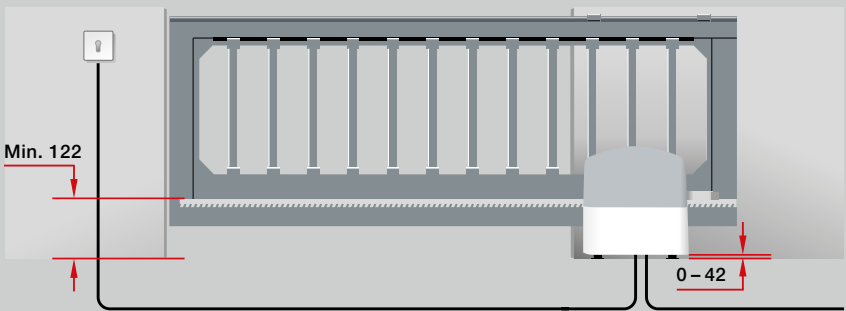
\*\* In conjunction with receiver HET-BLE

● = Standard  
○ = Optional

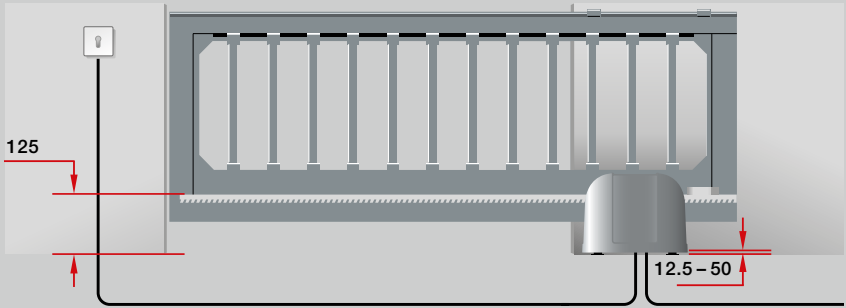




LineaMatic



STA 400



All dimensions are minimum dimensions in mm.

**Please note:**  
In order to comply with the requirements of DIN EN 13241, we recommend using a closing edge safety device.



HÖRMANN

# Experience Hörmann quality in new construction and modernisation

Hörmann provides an excellent basis for comprehensive planning. Carefully matched solutions offer you the very best in perfectly designed products for every area.

- **Garage doors**

Optimally match your personal architectural style: up-and-over or sectional doors made of steel or timber.

- **Gate and Door Operators**

Enjoy extra convenience and break-in-resistant security with Hörmann operators for garage doors and entrance gates. You can profit from the convenience of Hörmann door operators in your residential space as well.

- **Entrance doors**

Our comprehensive entrance door ranges include models that fit almost every need and requirement.

- **Steel doors**

Sturdy doors for your entire home, from basement to roof.

- **Frames**

Choose from our comprehensive range of products for new construction, expansion and modernisation.



Garage doors and entrance gate operators



Thermo65 / Thermo46 entrance doors



Steel doors

# Hörmann: Quality without Compromise



Hörmann KG Amshausen, Germany



Hörmann KG Antriebstechnik, Germany



Hörmann KG Brandis, Germany



Hörmann KG Brockhagen, Germany



Hörmann KG Dissen, Germany



Hörmann KG Eckelhausen, Germany



Hörmann KG Freisen, Germany



Hörmann KG Ichtshausen, Germany



Hörmann KG Werne, Germany



Hörmann Alkmaar B.V., Netherlands



Hörmann Legnica Sp. z o.o., Poland



Hörmann Beijing, China



Hörmann Tianjin, China



Hörmann LLC, Montgomery IL, USA



Hörmann Flexon LLC, Burgettstown PA, USA



Shakti Hörmann Pvt. Ltd., India

Hörmann is the only manufacturer worldwide that offers you a complete range of all major building products from one source. We manufacture in highly-specialised factories using the latest production technologies. The close-meshed network of sales and service companies throughout Europe, and activities in the USA and Asia, make Hörmann your strong partner for first-class building products, offering "Quality without Compromise".

**GARAGE DOORS**

**OPERATORS**

**INDUSTRIAL DOORS**

**LOADING EQUIPMENT**

**HINGED DOORS**

**DOOR FRAMES**